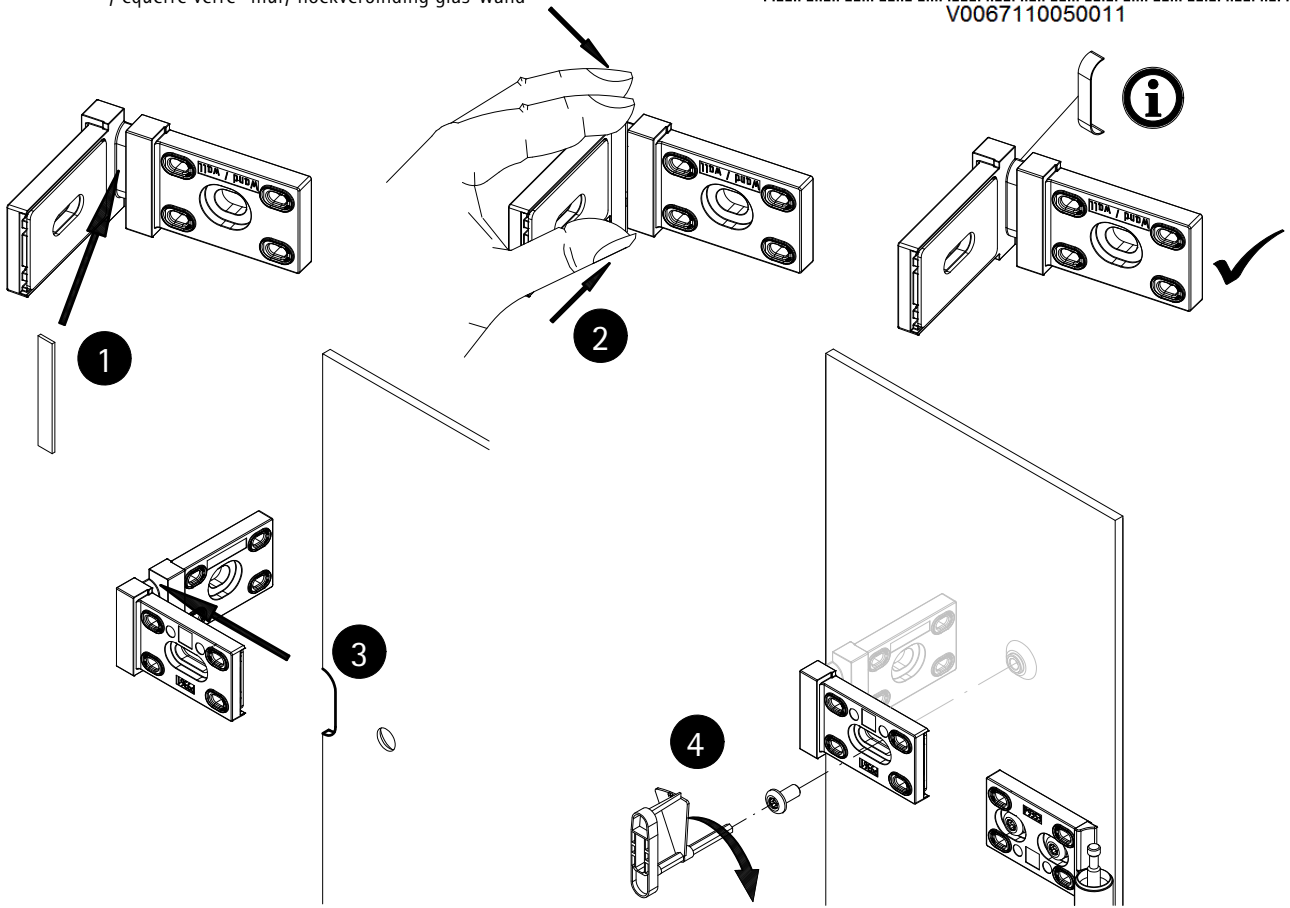


6711-0  
09/18

Zusatzblatt/ Additional sheet/ feuille additionnelle/ Aanvullende blad  
Winkel Glas-Wand/ angle bracket glass to wall  
/ equerre verre- mur/ hoekverbinding glas-wand



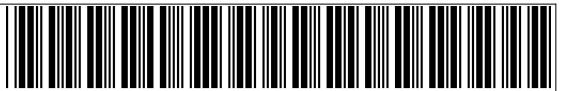
V0067110050011



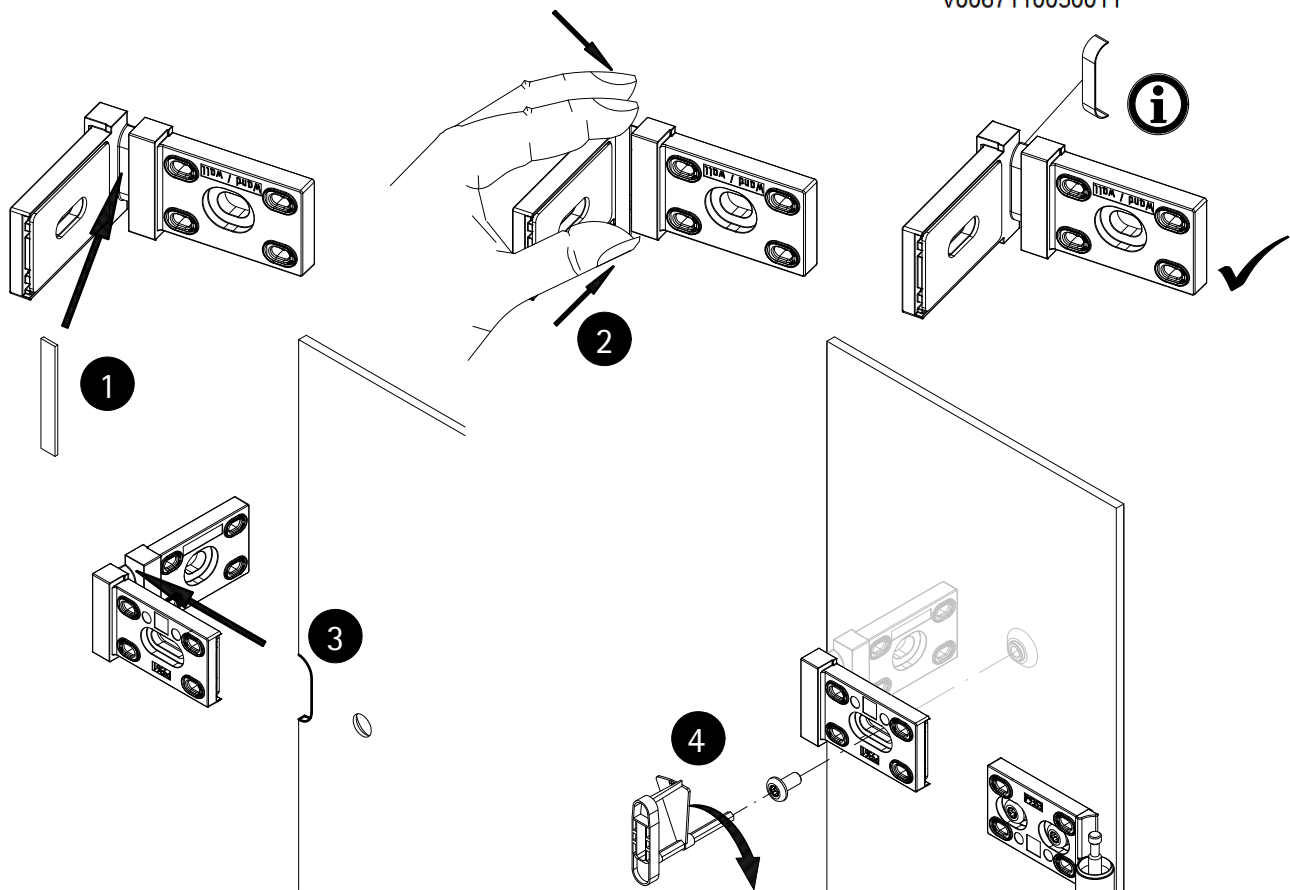
V0067110050011

6711-0  
09/18

Zusatzblatt/ Additional sheet/ feuille additionnelle/ Aanvullende blad  
Winkel Glas-Wand/ angle bracket glass to wall  
/ equerre verre- mur/ hoekverbinding glas-wand



V0067110050011



V0067110050011